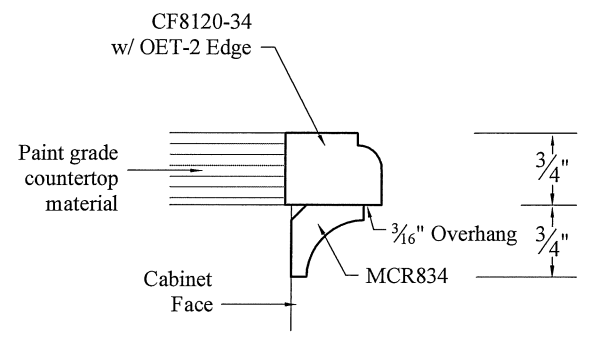
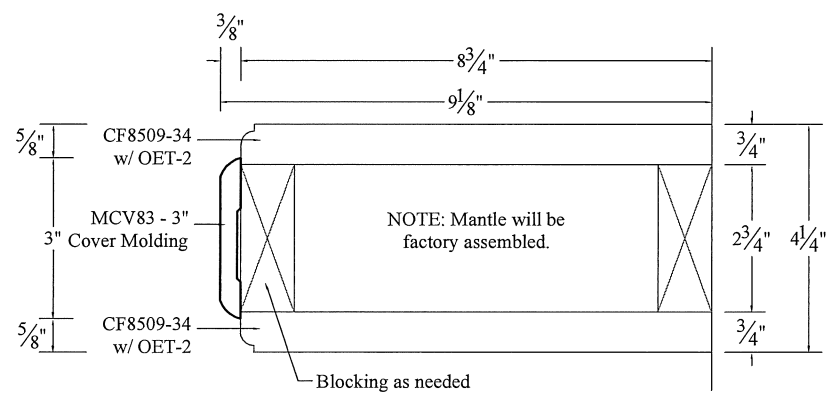


**FLOOR PLAN**

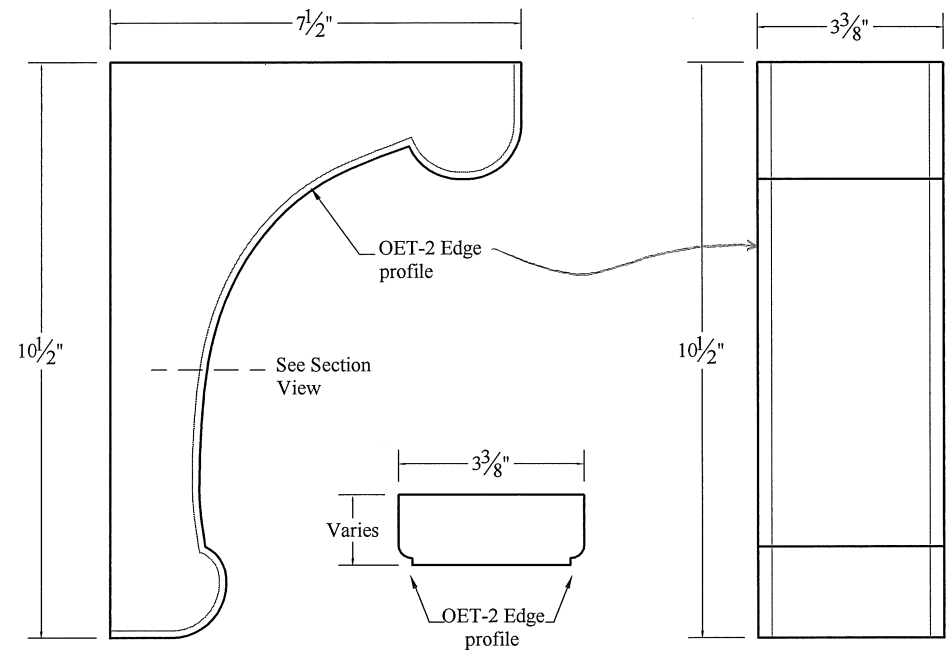
Marble hearth will be flush with oak flooring and same width as wainscot (88 3/4").



**COUNTER EDGE DETAIL**  
(Section View)



**MANTLE DETAIL**  
(Section View)



**CORBEL DETAIL**

APPROVED BY: \_\_\_\_\_  
DATE: \_\_\_\_\_

Holland Kitchens, LLC  
590 New Park Avenue  
West Hartford, CT 06110  
phone 860.236.3111  
fax 860.236.8031  
www.hollandkitchens.com

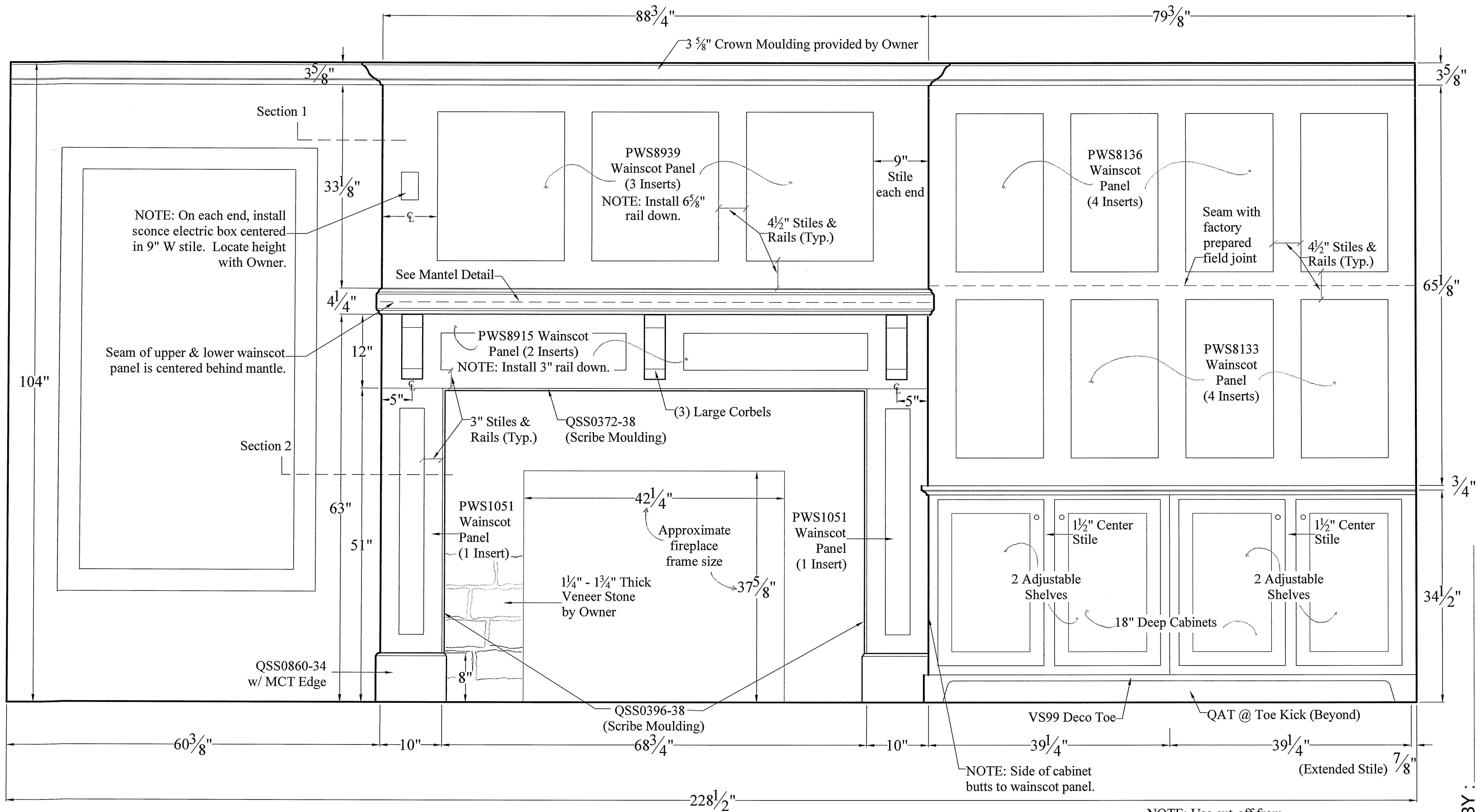
**HOLLAND**  
kitchens & baths  
A Total Home Remodeling Company

This is an original design submitted as a confidential presentation. The right to produce it in any form is and shall remain the exclusive property of Holland Kitchens LLC.

SCALE: 3/4" = 1'-0"  
DESIGNED BY: SFW  
DATE: 6.21.16

CUSTOMER: **Lyon**  
PLAN NAME: **Fireplace Cabinet Plan**

OF



**ELEVATION**

APPROVED BY: \_\_\_\_\_  
 DATE: \_\_\_\_\_

Holland Kitchens, LLC  
 590 New Park Avenue  
 West Hartford, CT 06110  
 phone 860.236.3111  
 fax 860.236.8031  
 www.hollandkitchens.com

**HOLLAND**  
 kitchens & baths  
 A Total Home Remodeling Company

This is an original design submitted as a confidential presentation. The right to produce it in any form is and shall remain the exclusive property of Holland Kitchens LLC

SCALE:  $3/4" = 1'-0"$   
 DESIGNED BY: SFW  
 DATE: 6.21.16

**Lyon**  
**Fireplace Elevation**

CUSTOMER: \_\_\_\_\_  
 PLAN NAME: \_\_\_\_\_  
 OF \_\_\_\_\_